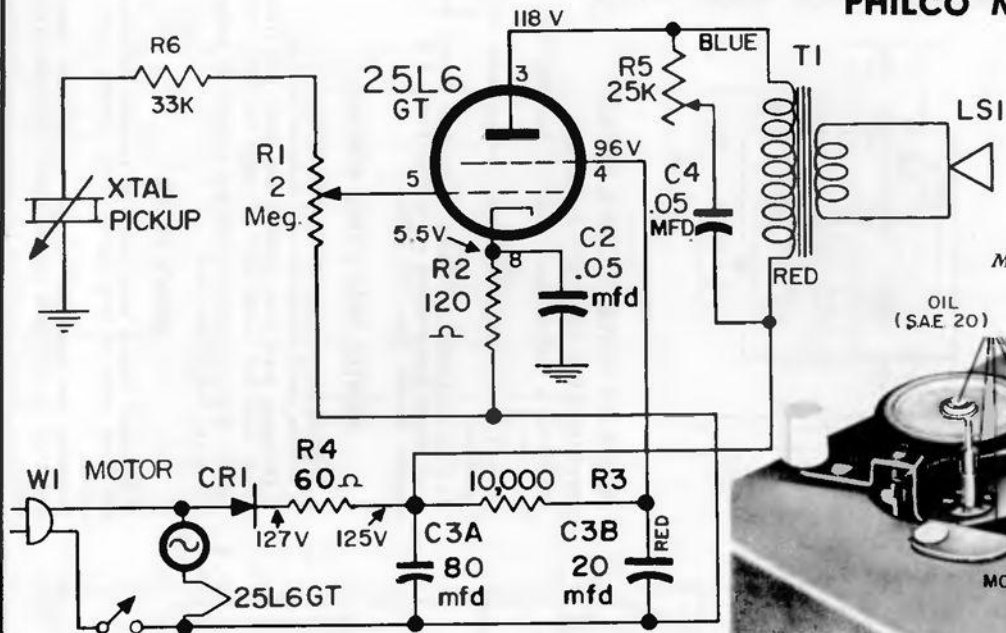


# PHILCO MODEL H-1383



*Motor Lubrication*

OIL  
(SAE 20)

GREASE  
MOTOR CUP GREASE

